

MIL-P-6645H -
27 February 1973
SUPERSEDING
MIL-P-6645G
14 June 1968

MILITARY SPECIFICATION

PARACHUTES, PERSONNEL, GENERAL SPECIFICATION FOR

This specification is approved for use by all Departments and Agencies of the Department of Defense.

1. SCOPE

1.1 This specification covers the general requirements for all personnel parachutes and components thereof.

2. APPLICABLE DOCUMENTS

- * 2.1 The following documents, of the issue in effect on date of invitation for bids or request for proposal, form a part of this specification to the extent specified herein:

SPECIFICATIONS

Federal

DDD-L-20 Label; for Clothing, Equipage, and Tentage, (General Use)

Military

MIL-C-5040 Cord, Nylon
MIL-P-5610 Parachute Assemblies and Sub-assemblies, Packaging and Packing of
MIL-I-6903 Ink, Marking (For Parachutes and Other Textile Items)
MIL-P-7567 Parachutes, Personnel, Detail Manufacturing Instructions for
MIL-R-25565 Releases, Parachute Ripcord, Automatic, Types F-1B and FF-1
MIL-Q-43015 Quick Release, Personnel Parachute Harness

STANDARDS

Federal

FED-STD-191 Textile Test Methods

Military

MIL-STD-100	Engineering Drawing Practices
MIL-STD-105	Sampling Procedures and Tables for Inspection by Attributes
MIL-STD-130	Identification Marking of US Military Property
MIL-STD-831	Test Reports, Preparation of
MIL-STD-849	Inspection Requirements, Definitions and Classification of Defects for Parachutes
MIL-STD-855	Assembly and Rigging Procedures for Personnel Parachutes

(Copies of specifications, standards, drawings, and publications required by suppliers in connection with *specific procurement functions should be obtained* from the procuring activity or as directed by the contracting officer.)

3. REQUIREMENTS

- * 3.1 Qualification. The parachute assemblies and/or components furnished under this specification shall be products which are qualified for listing on the applicable Qualified Products List at the time set for opening of bids (see 4.3 and 6.4).
 - * 3.1.1 Prior to actual procurement, the products which this specification covers shall pass the qualification inspection specified herein. If the products are later modified in any way, the modified forms shall be subjected to and shall pass the same qualification inspection when deemed necessary by the qualifying activity.
 - * 3.1.2 First article. When specified, the supplier shall furnish a first article for testing and approval (see 4.4, 6.2, and 6.6).
- * 3.2 Components. The complete parachute shall consist of a canopy, harness, risers (except troop reserve parachutes), pack or container, pilot chute, if applicable, and the necessary hardware with which to integrate the various components. Depending upon the type of parachute, certain parachutes shall include a full or quarter deployment bag. The complete parachute shall be assembled in accordance with MIL-STD-855, except for Navy-type parachutes which shall be assembled in accordance with the applicable drawings and/or technical documents as may be specified by the procuring activity.
- 3.3 Materials
 - * 3.3.1 Metal parts. Metal parts utilized in the construction of the parachute assemblies and components shall conform to the applicable specifications, drawings, or standards. Army and Air Force automatic ripcord release and harness release devices shall be in accordance with MIL-R-25565 and MIL-Q-43015, respectively, and Navy automatic release and harness release devices shall be constructed in accordance with the applicable drawing.

3.3.2 Textiles. Textile materials that have been manufactured (as evidenced by date of manufacture) more than 2 years prior to the date of award of contract shall not be used in the fabrication of parachutes or parts. The Government reserves the right to examine the contractor's records to validate the age of the textile material and to reject assemblies and components constructed from over-age materials.

3.3.3 Marking ink. The ink for marking textile parachute parts shall be in accordance with MIL-I-6903. The color shall be as specified on the applicable drawing.

3.4 Construction. Details of construction of the parachutes shall be in accordance with MIL-P-7567 and the applicable drawings.

3.4.1 Assembly aids. Drilling, notches, stapling, or any other such techniques used as aids in the manufacturing process of parachutes shall be kept to a minimum, and the use thereof shall be restricted to the same limitations as marking (see 3.4.2 and 3.13). All assembly aids such as staples shall be removed during or after assembly.

3.4.2 Assembly markings. Marking of pack, canopy, harness, riser, and other components as an aid to assembly and to indicate stitching patterns shall be accomplished in a manner that will not adversely affect the utility, strength, or appearance of the parachute.

3.5 Canopy. The canopy shall be manufactured in accordance with the applicable drawings.

3.5.1 Suspension lines. Suspension lines shall be continuous and without splice or knots for each length specified by the applicable drawing. All lines for one canopy shall be made from the same continuous length of cord. Lines damaged during the process of canopy manufacture shall be replaced with lines fabricated by the same line manufacturer. Lines being tensioned on multiple pulley systems shall be measured and marked as one continuous length for the entire canopy and shall not be anchored at any intermediate points between the ends of the lines.

3.5.1.1 Tensioning of suspension cord lines. The following suspension lines shall be marked under the specified tension:

<u>Line</u>	<u>Conforming to</u>	<u>Tension</u>
Nylon cord	MIL-C-5040, type III	20 ±1 pound
Nylon cord	MIL-C-5040, type II	10 ±1/2 pound

3.5.1.1.1 Marking of suspension lines. Suspension lines shall be marked within 30 ±5 seconds after the tension is applied.

3.5.1.2 Checking of pulley systems. Pulley systems used for tensioning lines during marking shall be checked once each day to maintain specified tension of each line.

* 3.5.2 Air permeability. When tested in accordance with 4.6.1, complete canopies or pilot chutes shall have an average permeability of not more than 10 percent over the top limit or 10 percent below the lower limit of the fabric specification. The average air permeability reading for any one gore shall not exceed the upper limit nor be less than the lower limit of the fabric specification by over 20 percent.

3.6 Harness. The harness shall be manufactured in accordance with the applicable drawings.

3.7 Pack or container. The pack or container shall be manufactured in accordance with the applicable drawings.

* 3.7.1 Pull of ripcord. The force required to operate the manual ripcord system of a packed parachute to cause positive opening of the parachute pack or container shall not exceed 27 pounds or the requirements as established by the procuring activity and/or applicable technical documents when tested in accordance with 4.6.2. This requirement is applicable to all ripcord-actuated parachute types. (When stated limits are exceeded for Navy assemblies, the Commanding Officer, Naval Aerospace Recovery Facility shall be notified in addition to those agencies required by the contracting authority.)

3.7.2 Parachute packs or containers using the pack cone and grommet closure system shall have sufficient clearance when the pack or container is closed so that the ripcord pins may be inserted without scoring or binding the grommets.

3.7.3 For packs or containers that are closed by the method of lacing a pack-closed cord through grommets, the grommets shall be free of broken and sharp edges which tend to cut or abrade the lacing cord.

* 3.8 Risers. The risers shall be manufactured in accordance with the applicable drawings.

3.9 Ripcord assembly. The ripcord assembly shall be manufactured in accordance with the applicable drawings.

3.10 Pilot chute. The pilot chute shall be manufactured in accordance with the applicable drawings.

3.11 Deployment bag. The deployment bag shall be manufactured in accordance with the applicable drawings.

3.12 Part numbering of interchangeable parts. All parts having the same manufacturer's part number shall be functionally and dimensionally interchangeable. The item identification and part number requirements of MIL-STD-100 shall govern the manufacturer's part numbers and changes thereto.

* 3.13 Identification of product. Unless otherwise specified, equipment, assemblies, and components shall be marked for identification in accordance with MIL-STD-130. In addition, the date of manufacture shall be shown on each fabric component. The date of manufacture shall be the month and year of delivery to the procuring activity. Space shall be provided for entering the date placed in service. (This will be filled in by the using service.) Items manufactured under U.S. Government contracts, and requiring inclusion of the contract number in the marking, shall be so identified by adding the prefix "U.S. GOVT" to the contract number. Items manufactured under this specification for agencies other than the U.S. Government should be appropriately identified.

* 3.13.1 Pack or container. The part number, manufacturer's code, contract number, and date of manufacture shall be applied to each pack or container in the manner and in the location specified on the applicable detail drawings. When complete parachutes are procured, the contractor shall mark the pack or container with the same serial number as the canopy, in the location specified by the applicable detail drawings.

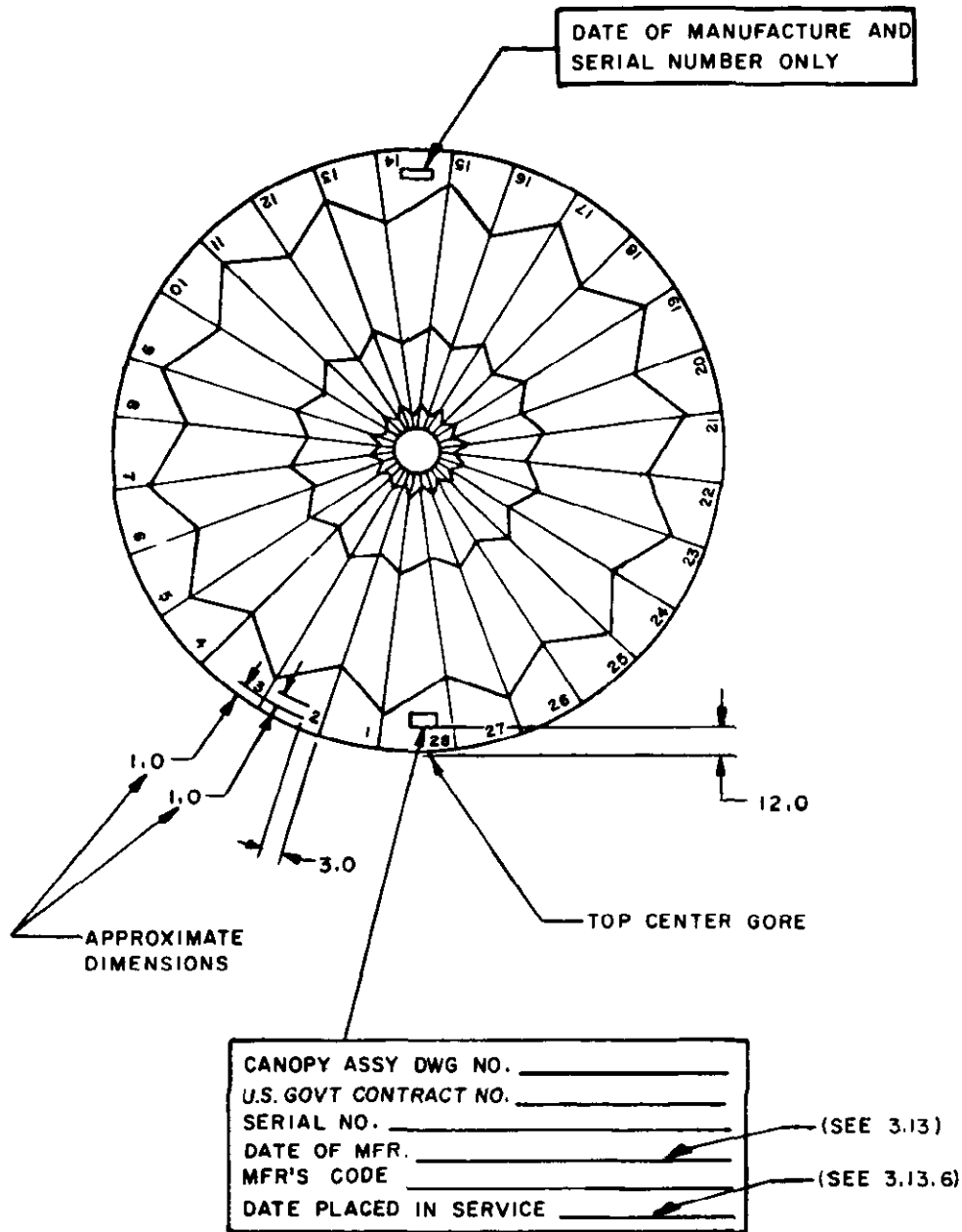
3.13.2 Deployment bag marking. Each deployment bag shall be marked in accordance with the applicable detail drawings.

* 3.13.3 Harness. Except as otherwise specified, a label conforming to type II, class 11 of DDD-L-20 shall be affixed to each harness. The manner of application, size, and location of this label shall be as specified on the applicable detail drawings. The label shall contain in legible print the part number as given on the applicable drawing, contract number, manufacturer's code, and date of manufacture. Space shall be provided for entering the date placed in service. (This will be filled in by the using service.)

3.13.4 Risers. The requirements of 3.13.3 shall apply to each riser of parachute assemblies which are not designed with the risers as an integral part of the harness.

3.13.5 Quick-release devices. Automatic parachute ripcord releases and harness quick-release devices shall be marked in accordance with applicable specifications and drawings.

3.13.6 Canopy. Each canopy shall be marked for identification in accordance with figure 1 and the applicable drawing. The characters shall be not less than 1/2 inch high. The type designation, where applicable, shall precede the drawing number. The using service will insert the date the canopy is placed in service.



NOTE: CANOPY DIAGRAM IS FOR REFERENCE ONLY, SHOWING MANNER IN WHICH CANOPY IS MARKED. CANOPY SHAPE AND NUMBER OF GORES MAY VARY ACCORDING TO THE SPECIFIC MANUFACTURING SPECIFICATIONS.

DIMENSIONS IN INCHES.

* FIGURE 1. Canopy Marking (Plan View Looking Down on the Outside of Canopy)

3.14 Workmanship. The parachute assemblies and components thereof shall conform to the quality established by this specification and documents referenced herein. The occurrence of defects shall not exceed the acceptance criteria established herein. Repeated repair of the same defect shall be avoided, as such repair indicates the need for corrective action.

4. QUALITY ASSURANCE PROVISIONS

4.1 Responsibility for inspection. Unless otherwise specified in the contract or purchase order, the supplier is responsible for the performance of all inspection requirements as specified herein. Except as otherwise specified in the contract or order, the supplier may use his own or any other facilities suitable for the performance of the inspection requirements specified herein, unless disapproved by the Government. The Government reserves the right to perform any of the inspections set forth in the specification where such inspections are deemed necessary to assure supplies and services conform to prescribed requirements.

4.2 Classification of inspections. The examination and testing of the parachute assemblies or components thereof shall be classified as follows:

- (a) Qualification inspection - Qualification inspection consists of the examination and tests performed on samples submitted for approval as qualified products.
- (b) First article inspection - First article inspection consists of examination and tests performed on parachute assemblies and components which are representative of the production item, after award of a contract, to determine that the production item meets the requirements of this specification.
- (c) Quality conformance inspection - Quality conformance inspection consists of examination and tests performed on individual products or lots to determine conformance of the products or lots to the requirements set forth in this specification.
- * (d) Engineering control sample inspection - Engineering control sample inspection consists of examination and tests of vital functional parts of the emergency parachute on a random basis as may be specified by the Government procuring activity to determine if the engineering suitability of the parachute is being affected by possible production discrepancies.

4.3 Qualification inspection

4.3.1 Qualification inspection samples. The qualification inspection sample shall comply with all of the requirements specified herein and shall consist of two complete parachute assemblies (except for automatic opening devices) or components (if qualification is desired for a component only). The qualification sample shall be accompanied by the following items with affidavits of the source of supply of each item: 1 square yard of each type of fabric; 1/2-pound spool, cone, or tube of each type of thread; 30 yards of each type of cord, webbing, and tape; and two sets of each type of hardware used in the construction and components of the parachute assembly. The samples shall comply in all respects with the requirements specified herein. Samples shall be forwarded as directed by the activity responsible for qualification (see 6.4).

4.3.1.1 Identification of samples. Each sample shall be plainly identified by a securely attached durable tag marked with the following information:

- (a) Sample for qualification inspection
- (b) Name of product (parachute assembly or component)
- (c) Manufacturer's designation or number
- (d) Name of manufacturer
- (e) Submitted by (name) (date) for qualification inspection in accordance with the requirements of MIL-P-6645 under authorization (reference authorizing letter).

4.3.2 Qualification test report. Prior to forwarding qualification samples to the qualifying activity, the manufacturer shall submit a test report in accordance with MIL-STD-831 which shall include details indicating compliance or noncompliance with each requirement of this specification by paragraph and the applicable manufacturing drawings. Three copies of this report shall accompany the qualification samples with a certificate that the test samples covered in the manufacturer's report as well as the samples submitted for qualification have been manufactured by the manufacturer's plant at (Plant address) during the preceding 90 days.

4.3.3 Qualification tests. Qualification tests shall consist of the examination specified in 4.5.1 and all the tests described under 4.6.

* 4.3.4 Component and material inspection. In accordance with 4.1, components and materials shall be inspected and tested in accordance with all requirements of referenced specifications, drawings, and standards unless otherwise excluded, amended, modified, or qualified in this specification or applicable purchase document.

* 4.4 First article inspection. When required (see 6.2 and 6.6), the first article inspection of the parachute assemblies or components shall consist of all examinations and tests specified herein.

*

* 4.5 Quality conformance inspection. Quality conformance inspection shall consist of:

- (a) Visual and dimensional examination (see 4.5.1)
- (b) Air permeability (see 4.5.2.1)
- (c) Ripcord pull (see 4.5.2.1 and 6.7).

4.5.1 Visual and dimensional examination. Each parachute assembly and component thereof shall be examined for conformance to MIL-STD-849.

* 4.5.2 Sampling tests

* 4.5.2.1 Air permeability and ripcord pull. Canopies shall be subjected to the air permeability test in accordance with 4.6.1, and when specified in the contract or order (see 6.2), complete parachutes or parachute packs/containers shall be subjected to the ripcord pull test in accordance with 4.6.2. Inspection lots shall be expressed in units of canopies, or complete parachutes or pack/containers, as applicable, of one type. The sample size shall be one unit selected at random from each production quantity of 50 or fraction thereof. Any nonconformance shall be cause for rejection of the production quantity.

*

4.5.2.2 Engineering control sample. When specified in the contract or order (see 6.2), one complete parachute assembly or component shall be selected at random from the first 10 percent of the production if the contract quantity is less than 5,000 items. If over 5,000 items are produced, the first sample shall be selected from the first 500 items produced; a second sample shall be selected after 75 percent of the contract quantity has been produced. Each engineering control sample shall be subjected to the following examinations and tests:

- (a) Visual and dimensional examination (4.5.1)
- (b) Air permeability (4.6.1)
- (c) Ripcord pull (4.6.2)
- (d) Drop test (4.6.4).

4.5.2.2.1 Rejection and retest (engineering control sample). When the item fails to meet the requirements of this specification or the applicable drawing, the contractor and cognizant Government activities shall be notified of the discrepancies. When a defect or a test failure occurs which, in the opinion of the testing activity, is because of faulty manufacture of the parachutes and may result in an operational failure, the manufacture of parachutes or parts thereof may be halted and shipments of completed parachutes on hand may be delayed pending disposition instructions from the procuring activity. Before production can be resumed, or rejected lots which have been reworked can be resubmitted for inspection, full particulars concerning previous discrepancies and the action taken to correct the defects found in the original items shall be furnished to the quality assurance representative. Items rejected after retest shall not be resubmitted without the specific approval of the procuring activity (see 6.5).

4.5.2.3 Examination and tests of parachute assembly or components at a designated laboratory (Navy procurement)

4.5.2.3.1 Inspection lot. An inspection lot size shall be expressed in units of one parachute assembly or component. The sample unit shall be one parachute assembly or component.

4.5.2.3.2 Sampling for examination and tests of the parachute assembly or component. The sample size, acceptance criteria, examination, and tests required for the parachute assemblies or components shall be as specified in MIL-STD-849.

4.5.2.3.3 Sampling for tests and examinations of parachute assemblies or components at a laboratory. A sample, prepared as specified in 5.1 (except that it need not be sealed) shall be selected at random from each lot in accordance with MIL-STD-105, inspection level S-3. The sample size shall be based upon the applicable size code letter for inspection level S-3. Each parachute assembly or component selected as a sample shall be forwarded to a Government or commercial laboratory as designated for the following tests and examinations:

- (a) Visual and dimensional examination (4.5.1)
- (b) Air permeability (4.6.1).

The acceptance number shall be zero, rejection number 1, for each test and examination, except that the acceptable quality level for minor defects shall not exceed 2.5 defects for 100 units. No deliveries shall be made from a lot prior to approval of the samples submitted for test from such lot. Failures of the samples to meet the acceptable quality levels specified herein will be cause for rejection of the lot from which the samples are taken.

4.5.2.4 Defects in items already accepted. The investigation of a test failure could indicate that defects may exist in parachutes already accepted. If so, the contractor shall fully advise the procuring activity of all defects likely to be found and the method of correcting them.

4.6 Test methods

- * 4.6.1 Air permeability. The cloth of completed parachute canopy assemblies shall be tested for air permeability to determine compliance with the requirements of 3.5.2. The test shall be performed in accordance with method 5450 of FED-STD-191, making five permeability readings (a minimum of one reading per section excluding the top and bottom sections) in every fourth gore starting with gore number 1; that is, gore numbers 1, 5, 9, etc. Pilot chutes procured as separate items or as part of the parachute canopies or the assemblies shall be subject to this permeability testing requirement. If certified test reports and verification tests of the cloth being used indicate that the cloth meets the applicable specification requirements, air permeability testing of completed pilot chutes is not required.
- * 4.6.2 Ripcord pull. Parachute assemblies (or pack/container assemblies when procured separately) shall be tested for compliance with the requirements of 3.7.1. Prior to commencing the tests for parachutes equipped with an elastic ripcord grip pocket, the ripcord grip shall be inserted in the elastic ripcord grip pocket and withdrawn with a twisting motion five times to flex the pocket. Items selected for testing shall be packed as for service strictly in accordance with instructions furnished by the procuring activity (see 6.2 and 6.7).
 - * 4.6.2.1 Chest-style or type parachute. Except that a rigger's seal shall not be affixed, the parachute shall be packed in accordance with the applicable packing instructions. The parachute shall be placed in a test fixture to hold it securely in a position with the mouth of the ripcord pocket facing downward (along the vertical axis). A 27-pound weight (unless otherwise specified by the procuring activity) attached to the ripcord grip (care shall be exercised to center the weight on the grip and not to impose an impact load) shall readily activate the parachute by withdrawing the ripcord pins from the locking cones.
 - 4.6.2.2 Back and seat style or type parachute. The parachute shall be packed in accordance with the applicable packing instructions and placed in a test fixture or anthropometric device (torso) simulating the 5 to 95 percentile man or live subject to hold it securely in a position with the mouth of the pocket or ripcord guide facing downward (along the vertical axis). The ripcord cable shall be secured so that the ripcord pins will not be withdrawn when the weight is applied. A 20-pound weight attached to the ripcord grip (care shall be exercised not to impose an impact load) shall readily withdraw the ripcord from the pocket or the guide. The parachute shall then be rotated so that the open end of the

ripcord housing will be facing downward with the ripcord cable in a vertical position. A 27-pound weight shall be attached to the ripcord grip which has been removed from the ripcord pocket or guide. The safety on the ripcord cable shall be removed and the weight shall readily activate the parachute by withdrawing the ripcord pins from the locking cones or webbing locking loops.

4.6.2.3 Metal grip socket or clips. Except that insertion and withdrawal of the grip (five times) prior to test is not required, parachutes with mechanical grip sockets shall be tested as specified in 4.6.2.

* 4.6.2.4 Manual system actuation. When the manual system of a parachute assembly is actuated during a test, the procuring activity may specify a follow-on required function of the system after the ripcord pin pull function (i.e., complete separation of the grommets from the cones, or the pilot parachute spring being fully extended).

4.6.3 Special escape systems. Special escape system parachutes shall be tested as specified by the procuring activity.

4.6.4 Drop test. Parachute assemblies with defects of a nature which, in the judgment of the qualifying activity, could result in a malfunction may, at the option of the procuring activity, be subjected to the following drop test:

Torso dummy weight - 250 pounds
Altitude 1/ - 1,500 feet above terrain 2/
Packing - Standard, as for service use, per applicable
packing instruction
Airspeed - 170 knots indicated airspeed

1/ Parachute must be fully deployed within the first 200 feet.

2/ Pressure altitude shall not exceed 5,000 feet.

4.7 Packaging, packing, and marking. Preparation for delivery shall be examined for conformance to section 5.

5. PREPARATION FOR DELIVERY

5.1 The parachute assemblies and components shall be packaged, packed, and marked in accordance with MIL-P-5610.

6. NOTES

6.1 Intended use. The parachute assemblies and components covered by this specification are intended for use by personnel making premeditated jumps or for emergency escape from airborne vehicles. Assemblies tethered or controlled from the ground or water surface, and used as ground/air training simulators are included within the scope of this document.

* 6.2 Ordering data. Procurement documents should specify the following:

- (a) Title, number, and date of this specification
- (b) Type of parachute assembly or component (part number or applicable drawing number)
- (c) Whether first article samples are required (see 3.1.2, 4.4, and 6.6)
- (d) Whether engineering control samples are required (see 4.5.2.2 and 6.3). When required in Air Force and Army contracts, samples should be forwarded to San Antonio Air Material Area Textile Laboratory within 5 working days of item completion.
- (e) Whether ripcord pull testing is required (see 4.5.2.1 and 6.7) and, if required, packing instructions (see 4.6.2)
- (f) Selection of applicable levels of packaging and packing (see 5.1).

6.3 Engineering control test samples and test reports. The testing activity should accomplish the required tests and submit the inspection report to the procuring activity within 30 working days from receipt of the samples. Upon completion of the required tests, the testing activity should return all test samples to the contractor for reshipment to the consignee specified in the contract.

* 6.4 Qualification. With respect to products requiring qualification, awards will be made only for products which are at the time set for opening of bids qualified for inclusion in the applicable Qualified Products List whether or not such products have actually been so listed by that date. The attention of the suppliers is called to this requirement, and manufacturers are urged to arrange to have the products that they propose to offer to the Federal Government tested for qualification in order that they may be eligible to be awarded contracts or orders for the products covered by this specification. The activity responsible for the Qualified Products List is the Aeronautical Systems Division, Wright-Patterson Air Force Base, Ohio 45433. Information pertaining to qualification of Army and Air Force parachutes may be obtained from the Aeronautical Systems Division (ENCDP), Wright-Patterson Air Force Base, Ohio 45433. Information pertaining to qualification of Navy parachutes may be obtained from the Commander, Naval Air Systems Command, Department of the Navy, Washington, D.C. 20360.

* 6.5 Laboratory information. The successful bidder will be furnished with the name of the quality conformance inspection laboratory (4.5.2.3.3) at the time of the award. The costs of the tests and examinations of samples initially submitted from a lot as required by 4.5.2.3.3 will be borne by the Government, wherever

the tests and examination are performed. Samples from a rejected lot should not be submitted for tests and examinations, as required by 4.5.2.2.1 or 4.5.2.3.3, without approval of the procuring activity. The costs of the test and examinations of samples resubmitted from a reworked lot or from a new lot which is necessitated by the rejection of a previous lot will be borne by the manufacturer.

* 6.6 First article. Requirements for first article test and approval of items covered by this specification under the appropriate provisions of the Armed Services Procurement Regulations (ASPR) should be specified by the procuring activity. The contracting officer should include specific instructions in all procurement instruments regarding definition of the first article in accordance with the ASPR, number of units, and arrangements for examination, test, and approval.

* 6.6.1 First article sample. When specified in the contract or order, as soon as practicable after award of the contract or order, the manufacturer should submit two parachute assemblies or components plus 5 yards of each color and type of fabric; 1/2 pound spool, cone, or tube of each type of thread; 15 yards each of each type of cord, webbing, and tape; and two sets of each type of hardware used in the construction of the parachute assembly or component as first article samples. The samples should be representative of the construction, workmanship, and materials to be used during production. When a manufacturer is in continuous production of these assemblies or components from contract to contract, submission of further first article samples may be waived at the discretion of the procuring activity. Approval of the first article sample or the waiving of first article inspection does not preclude the requirement of submitting to the quality conformance inspection. The samples should be plainly identified by securely attached durable tags with the following information:

Samples submitted by (name) (date) for the first article inspection in accordance with the requirements of MIL-P-6645H under contract No. _____.

* 6.6.2 When specified in the contract or order, upon completion of first article inspection, all the applicable inspection reports and, when applicable, recommendations and comments pertinent for use in monitoring production should be forwarded to the procuring activity. One approved sample should be returned to the manufacturer for use in monitoring production. The other sample will be retained by the procuring activity and may be considered to be consumed or destroyed in the first article inspection.

* 6.7 Ripcord pull. Requirements for ripcord pull tests covered by this specification should be specified by the procuring activity. The contracting officer should include specific instructions in all procurement instruments concerning the applicability of 4.5.2.1.

6.8 Marginal indicia. The margins of this specification are marked with an asterisk to indicate where changes from the previous issue were made. This was done as a convenience only, and the Government assumes no liability whatsoever for any inaccuracies in these notations. Bidders and contractors are cautioned to evaluate the requirements of this document based on the entire content irrespective of the marginal notations and relationship to the last previous issue.

Custodians:

Army - GL
Navy - AS
Air Force - 11

Preparing activity:

Air Force - ~~11~~ 99

Project No. 1670-0473

Review activities:

Army - AV
Air Force - 82

STANDARDIZATION DOCUMENT IMPROVEMENT PROPOSAL

OMB Approval
No. 22-R255

INSTRUCTIONS: The purpose of this form is to solicit beneficial comments which will help achieve procurement of suitable products at reasonable cost and minimum delay, or will otherwise enhance use of the document. DoD contractors, government activities, or manufacturers/vendors who are prospective suppliers of the product are invited to submit comments to the government. Fold on lines on reverse side, staple in corner, and send to preparing activity. Comments submitted on this form do not constitute or imply authorization to waive any portion of the referenced document(s) or to amend contractual requirements. Attach any pertinent data which may be of use in improving this document. If there are additional papers, attach to form and place both in an envelope addressed to preparing activity.

DOCUMENT IDENTIFIER AND TITLE

NAME OF ORGANIZATION AND ADDRESS

CONTRACT NUMBER

MATERIAL PROCURED UNDER A

DIRECT GOVERNMENT CONTRACT SUBCONTRACT

1. HAS ANY PART OF THE DOCUMENT CREATED PROBLEMS OR REQUIRED INTERPRETATION IN PROCUREMENT USE?

A. GIVE PARAGRAPH NUMBER AND WORDING.

B. RECOMMENDATIONS FOR CORRECTING THE DEFICIENCIES

2. COMMENTS ON ANY DOCUMENT REQUIREMENT CONSIDERED TOO RIGID

3. IS THE DOCUMENT RESTRICTIVE?

YES NO (If "Yes", in what way?)

4. REMARKS

SUBMITTED BY (Printed or typed name and address - Optional)

TELEPHONE NO.

DATE

DD FORM 1426
1 JAN 72

REPLACES EDITION OF 1 JAN 56 WHICH MAY BE USED

C 1 6 0 6 1

FOLD

4950/TZS
Wright-Patterson AFB, O 45433
OFFICIAL BUSINESS
PENALTY FOR PRIVATE USE \$300

POSTAGE AND FEES PAID
DEPARTMENT OF THE AIR FORCE
DoD-318



4950/TZS
Wright-Patterson AFB, Ohio 45433

FOLD